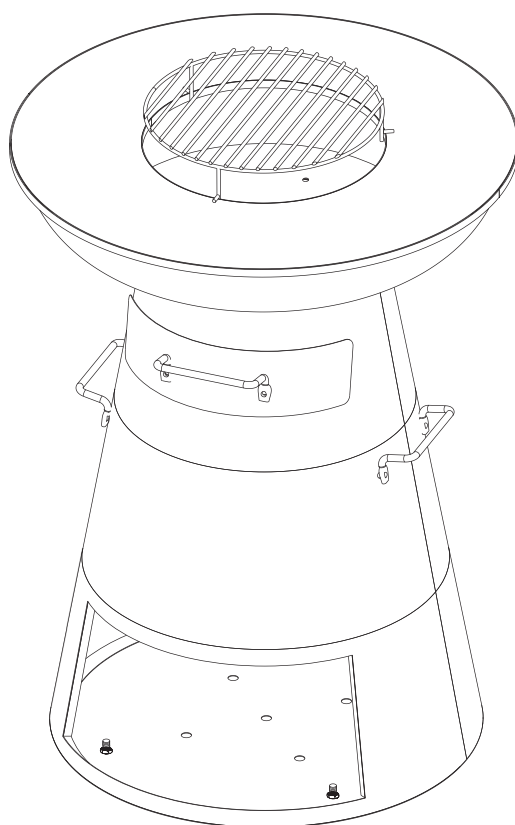
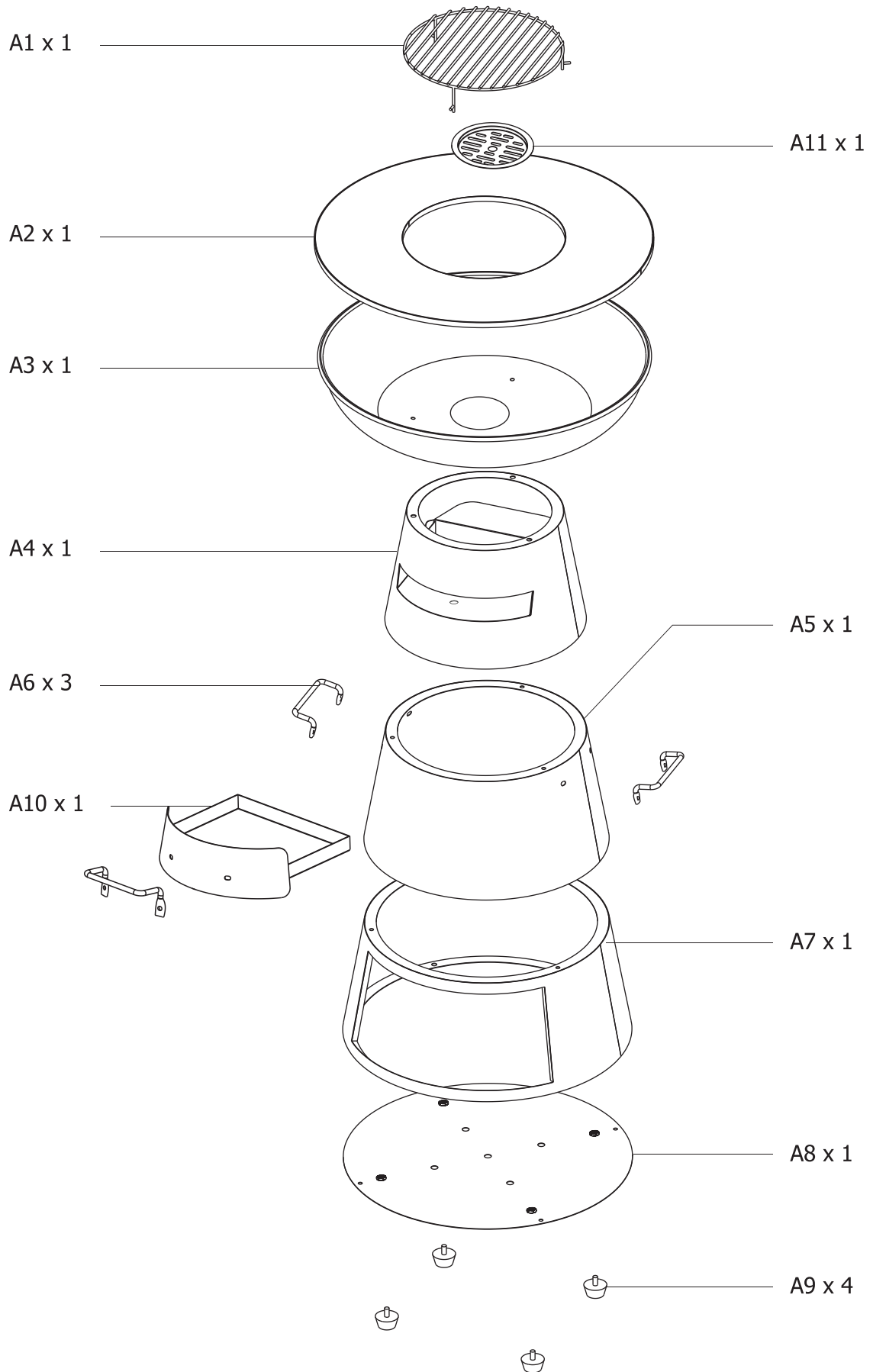


# User Manual

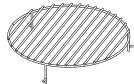
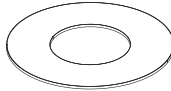
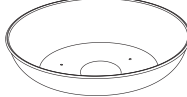



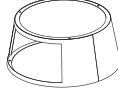

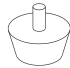
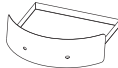



**BJORK BBQ FIREPIT**  
**Model : 22056**




# PARTS LIST



# PARTS LIST

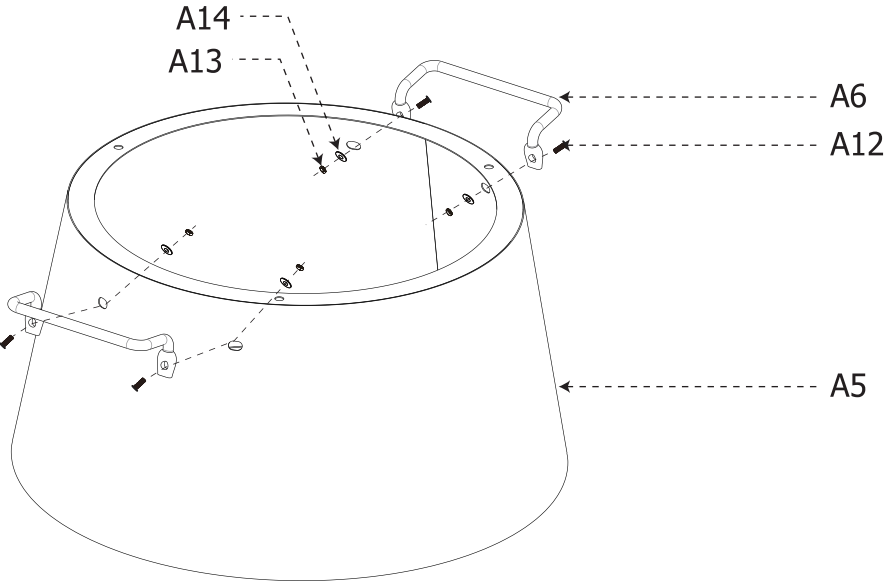
PART NO.	IMAGE	QTY
A1		x 1
A2		x 1
A3		x 1
A4		x 1
A5		x 1
A6		x 3
A7		x 1
A8		x 1
A9		x 4
A10		x 1
A11		x 1

## PARTS LIST

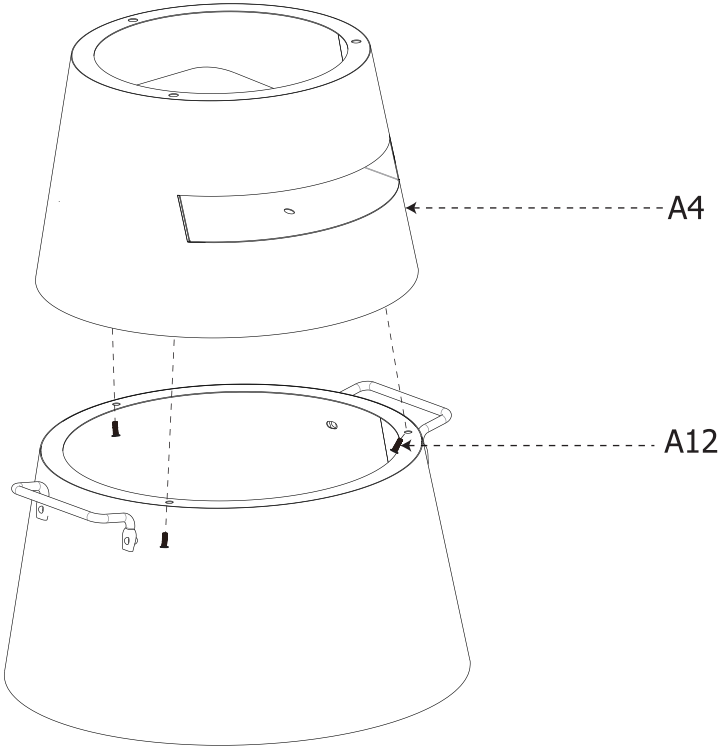
PART NO.	IMAGE	QTY
A12	 M6 x 12mm * A technical drawing of a hex-head screw with a threaded shaft and a hexagonal head.	x 19
A13	 M6 Nut * A technical drawing of a hexagonal nut with a threaded hole.	x 6
A14	 Ø6 x 16mm * A technical drawing of a flat washer with a central hole.	x 9

ASSEMBLY

1

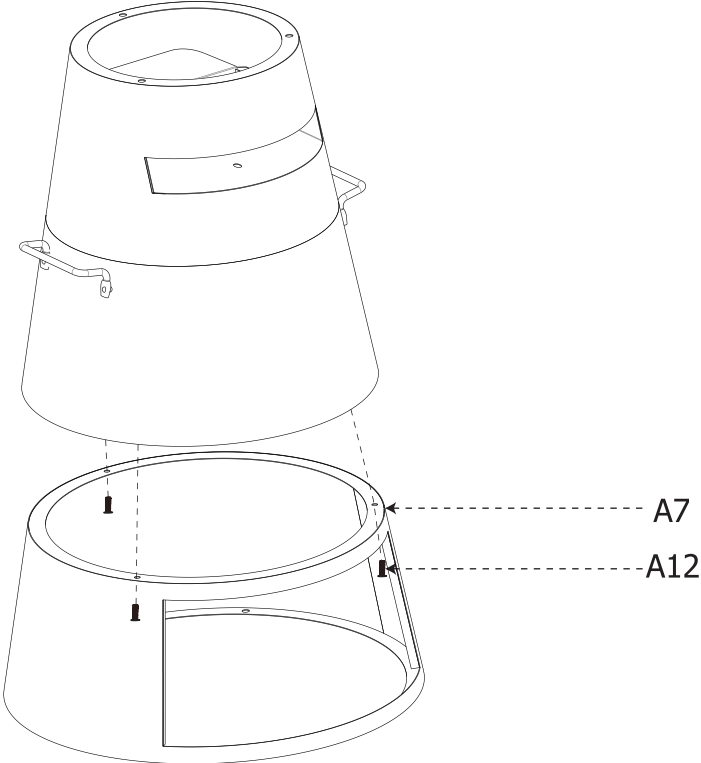


2

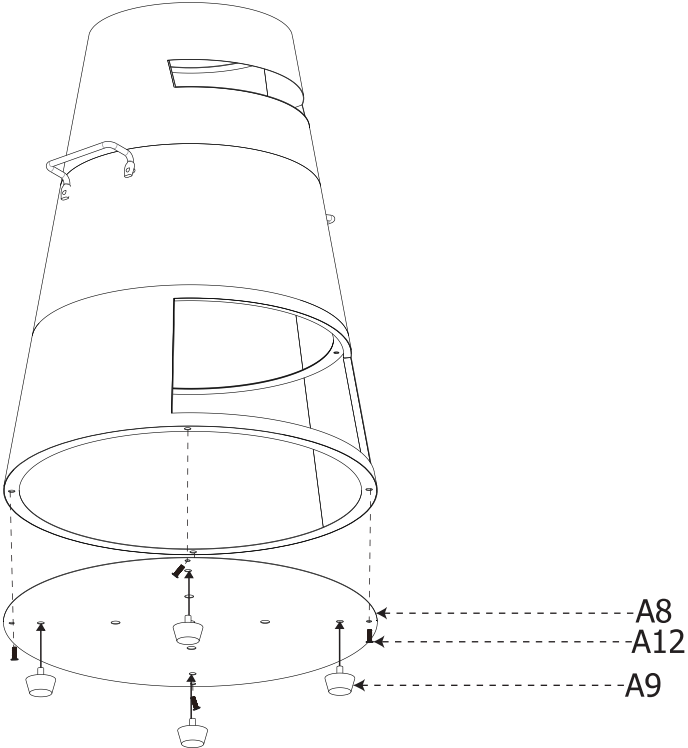


ASSEMBLY

3

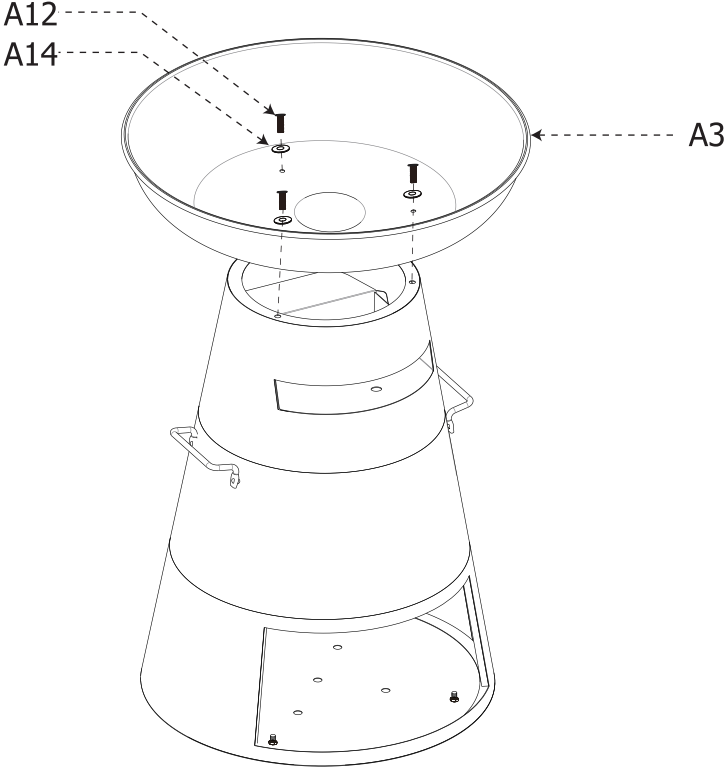


4

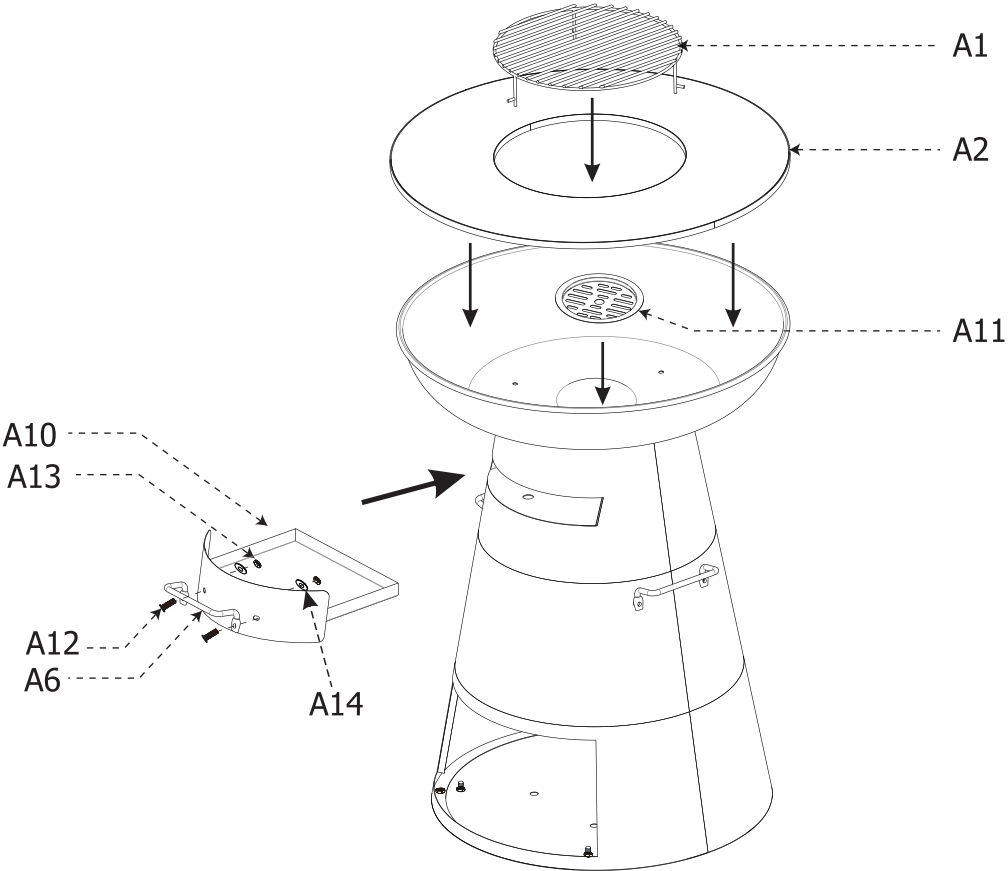


ASSEMBLY

5



6



ASSEMBLY

7

