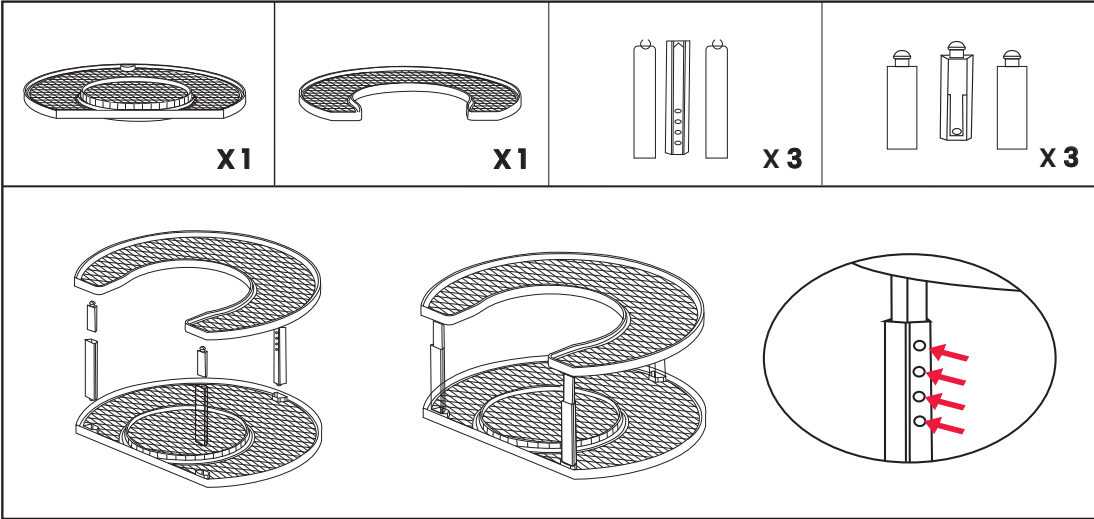


PARTS



STEPS

